

MEITRACK APU201\APU202 UPS Power Supply Specification




Document Record

Document Name	MEITRACK APU201\APU202 UPS Power Supply Specification		
Applicable Products		Creation Date	2025-09-01
		Revision Date	
Document Type	User Manual	Total Pages	7
Version	V1.2	Confidentiality	External Document

Copyright and Disclaimer

Copyright © 2025 MEITRACK. All rights reserved by Shenzhen Meiligao Group Co., Ltd.

MEITRACK and  are registered trademarks of Shenzhen Meiligao Group Co., Ltd.

The contents of this specification parameter are updated periodically without prior notice.

This specification parameter shall not be reproduced, distributed, or retransmitted for any purpose without the prior written authorization of MEITRACK, including photocopies and audio-video recordings.

MEITRACK shall not be held liable for any direct, indirect, special, incidental, or consequential damages (including but not limited to economic losses, personal injury, or damage to property and assets) resulting from the use, misuse, or inability to use this product and its documentation.

Document Revision History

Version	Date	Modification
1.0	2025-09-01	Initial Draft
1.1	2025-09-09	Modify the working hours.
1.2	2026-04-08	Add APU202

Table of Contents

1 Product Overview	- 4 -
2 Product Specifications	- 4 -
3 Standard Accessories	- 5 -
4 Function of the APU201\APU202 Switch	- 5 -
5 UPS installation wiring diagram	- 6 -
6 Estimated Usage Duration	- 7 -

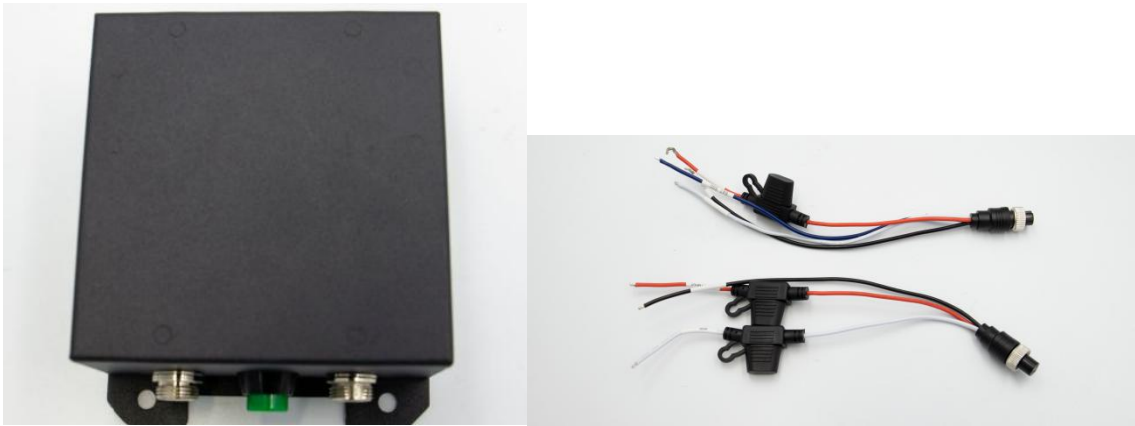
1 Product Overview

UPS (Uninterruptible Power Supply) is a device designed to provide temporary supplemental power to equipment in vehicles during special circumstances or external power supply anomalies. Its primary function is to ensure the device remains operational for a period during power interruptions, preventing data loss or equipment damage. Therefore, it is suitable for installation on devices requiring extended battery life, such as MDVRs, dashcams, and trackers.

2 Product Specifications

Item		Parameter Description
General	Enclosure Material	Al6306 Aluminum Alloy
	Charging Input Voltage Range	Voltage supplied to the device when the UPS is not operating: DC 8V–36V Voltage supplied to the device when the UPS is operating: DC 12V–16.8V
	Single-cell battery casing material	Nickel-plated steel
	Nominal capacity	2.6 Ah, capacity measured by discharging over 2 hours to the cut-off voltage after full charge
	Dimensions	94MM*131.3MM*52MM
	Weight	0.9KG
	Waterproof rating	IP65
Voltage and current	Nominal voltage	Normal voltage: 14.8 V Single-cell battery operating voltage: 3.7 V
	Full charge voltage	A single battery: 4.2V
	Discharge cut-off voltage	Normal Voltage: 12 V Average Single Cell Discharge Voltage: 3V
	Charging Current	1A/0.5C
	Charging Time	< 2.5h/0.5C
	Maximum Output Current	4A
	Overcurrent Protection	10A
Battery	Battery Specifications	APU201: 4 pcs 18650 APU202: 8 pcs 18650
	Total Battery Capacity	APU201: 2600mAh APU202: 5200mAh
Operating Temperature	Charging	0~45°C
	Discharging	-10~55°C
	Storage Temperature	-20°C-60°C

3 Standard Accessories



4 Function of the APU201\APU202 Switch

The switch controls the UPS output to prevent self-discharge during extended periods of inactivity, such as during transportation. Turning Off the UPS output reduces internal power consumption. When the UPS detects an external power source, it will automatically activate the switch to enable automatic UPS power output.

Single-click the switch to enable UPS output; long-press to disable UPS output.



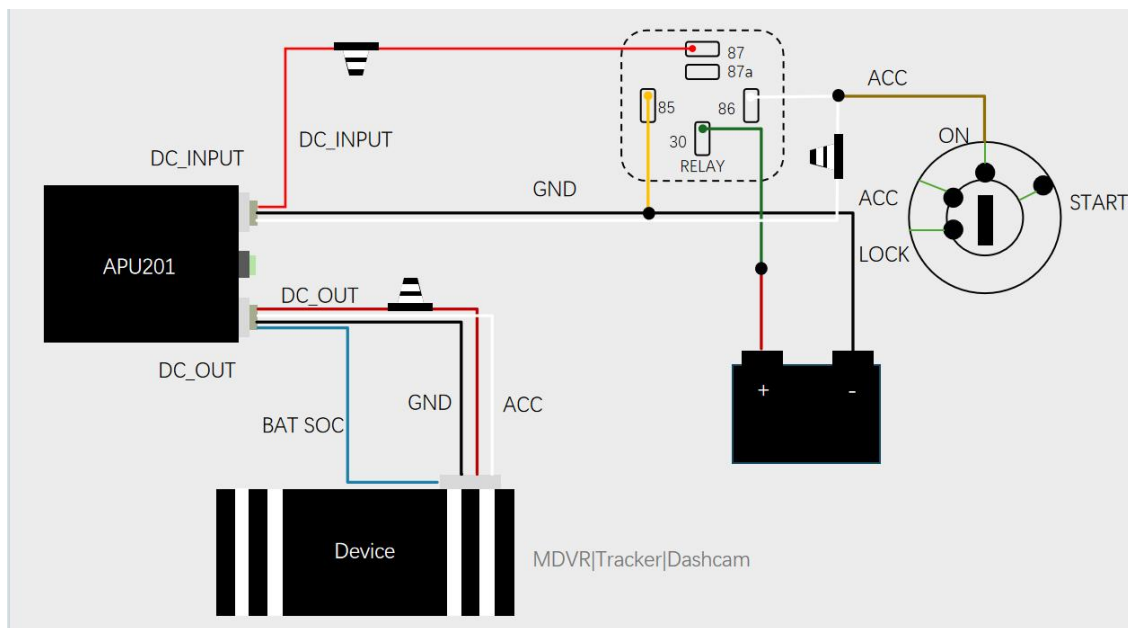
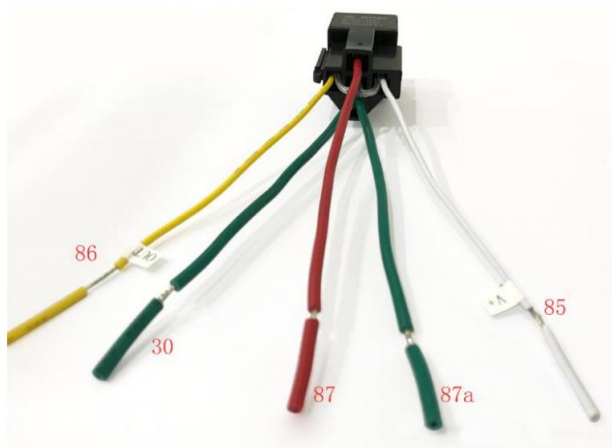
5 UPS installation wiring diagram

UPS operating principle:

The UPS ACC line is a direct pass-through; the power input line directly charges the UPS.

Wiring Method One: (Connecting to Constant Power Supply)

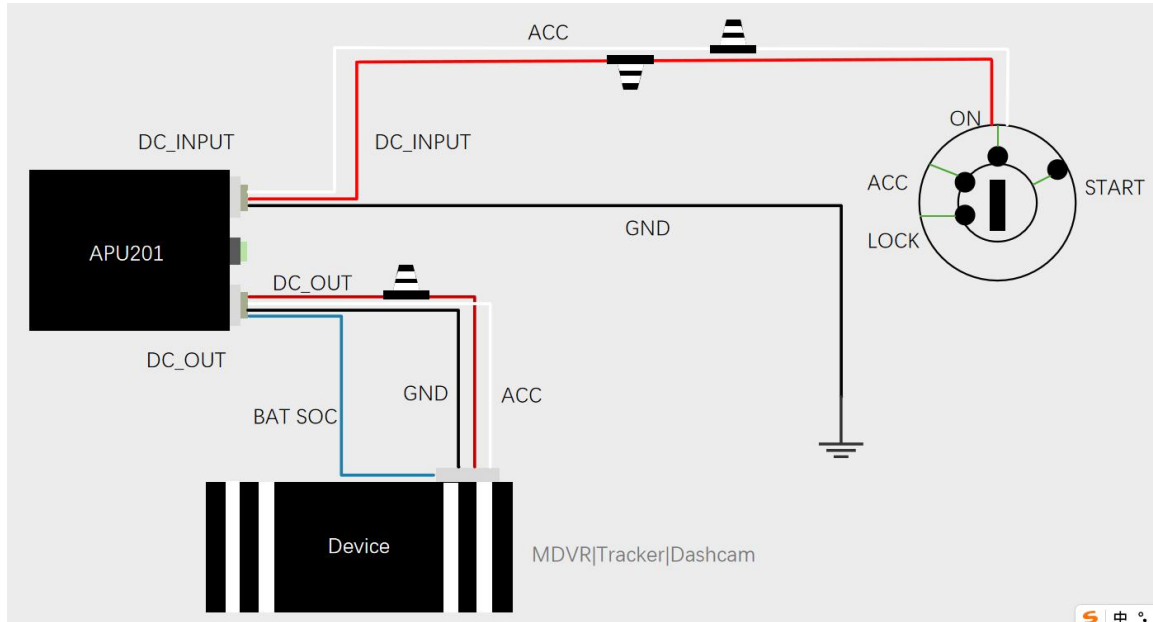
When ACC controls the UPS to connect to constant power for charging, a relay must be connected (as shown in the diagram below); When ACC is on, the vehicle battery charges the UPS and simultaneously powers the device; When ACC is off, the vehicle battery disconnects power supply to the UPS. The UPS then powers the device until its battery is depleted, after which the device shuts down.



Wiring Method Two: (Connecting to ACC Power Supply)

When the UPS power and ACC line are connected to the vehicle ACC ON position (as shown in the diagram below). After the vehicle is turned off, the UPS supplies power to the device until the UPS battery is fully depleted, at which point the device shuts down.

When the vehicle starts, it charges the UPS and simultaneously supplies power to the device.



At this time, the APU201\APU202 only charges when the ACC is On.

Note: BAT SOC indicates the battery status inside the APU and can be connected to the MDVR INPUT port; a high level represents UPS charging status. This line may be left unconnected.

6 Estimated Usage Duration

Model	Number of Cameras	APU201 Working hours	APU202 Working hours
MD600\MD833H	2 Cameras	165 minute	330 minute
	4 Cameras	130 minute	260 minute
	6 Cameras	115 minute	230 minute
MD833H	8 Cameras	100 minute	200 minute
MD500S	4 Cameras	360 minute	720 minute
MD101	3 Cameras	420 minute	840 minute

If you have any further inquiries, please send an email to our mailbox info@meitrack.com. We are dedicated to providing you with assistance.